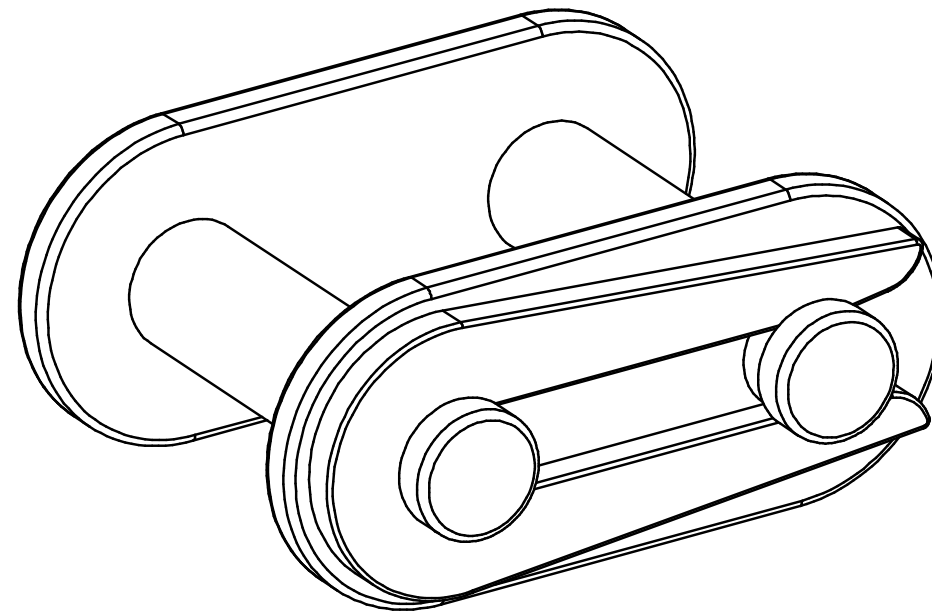


06BL-RJ-1(Joining Link 3/8 Pitch ORing)



Designed by Geoff	Date drawn 11/08/2009	General Tolerance X ± 1 Unless Otherwise X.X ± 0.4 stated: X° ± 1° X.XX ± 0.03	All dimensions in mm A3	Customer - Project
This document & designs shown are the property of Metalform (Dvke) Limited. It may not be copied in any form unless written permission is given by the Metalform(Dvke) Ltd		Metalform (DVKE) Ltd Easton Street, PO BOX 122 Dannevirke Phone 06 374 7043 Fax 06 374 9316		Description Joining Link 3/8 Pitch O-RingJoining Link 3/8 Pitch ORing 06BL-RJ-1
A		11/08/2009	Geoff	Rev A
REV	DESCRIPTION	ECR	DATE	Author
				Sheet 1 / 1