

- 1. Assemble & Weld
- 2. Powdercoat Farm Machinery Red

Mass:3.818 kg

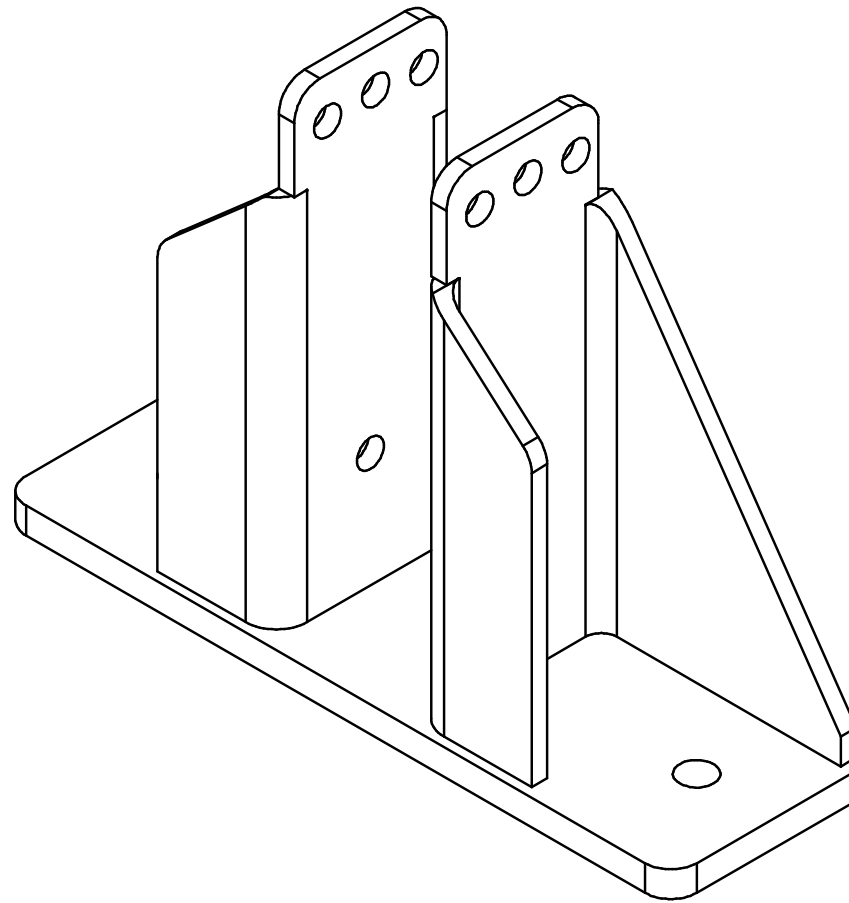
Qty 1

Parts List			
ITEM	QTY	PART NUMBER	DESCRIPTION
1	1	TMT_001_015	
2	1	TMT_001_014	
3	1	TMT_001_015_MIR	

Designed by ollie	Date drawn 15/10/2004	General Tolerance X ± 1 Unless Otherwise X.X ± 0.4 stated: X° ± 1° X.XX ± 0.03	All dimensions in mm A3	Customer - Project Tow 'N' Mow 1500 Topper
This document & designs shown are the property of Metalform (Dvke) Limited. It may not be copied in any form unless written permission is given by the Metalform(Dvke) Ltd				Description draw mt assy
Easton Street, PO BOX 122 Dannevirke Phone 06 374 7043 Fax 06 374 9316				Part No TMT_002_001
				Rev A
				Sheet 1 / 2

A	updated dimensions	ECR	11/09/2009	ollie
REV	DESCRIPTION	ECR	DATE	AUTHOR

# TMT\_002\_001 (draw mt assy)



Designed by ollie	Date drawn 15/10/2004	General Tolerance X ± 1 Unless Otherwise X.X ± 0.4 stated: X° ± 1° X.XX ± 0.03	All dimensions in mm ⌀ A3	Customer - Project Tow 'N' Mow 1500 Topper
This document & designs shown are the property of Metalform (Dvke) Limited. It may not be copied in any form unless written permission is given by the Metalform(Dvke) Ltd				Description draw mt assy
Metalform (DVKE) Ltd Easton Street, PO BOX 122 Dannevirke Phone 06 374 7043 Fax 06 374 9316			Part No TMT_002_001	Rev A
				Sheet 2 / 2

F:\Inventor Projects\Tow n Mow\1500 Topper\TMT\_002\_001.iam