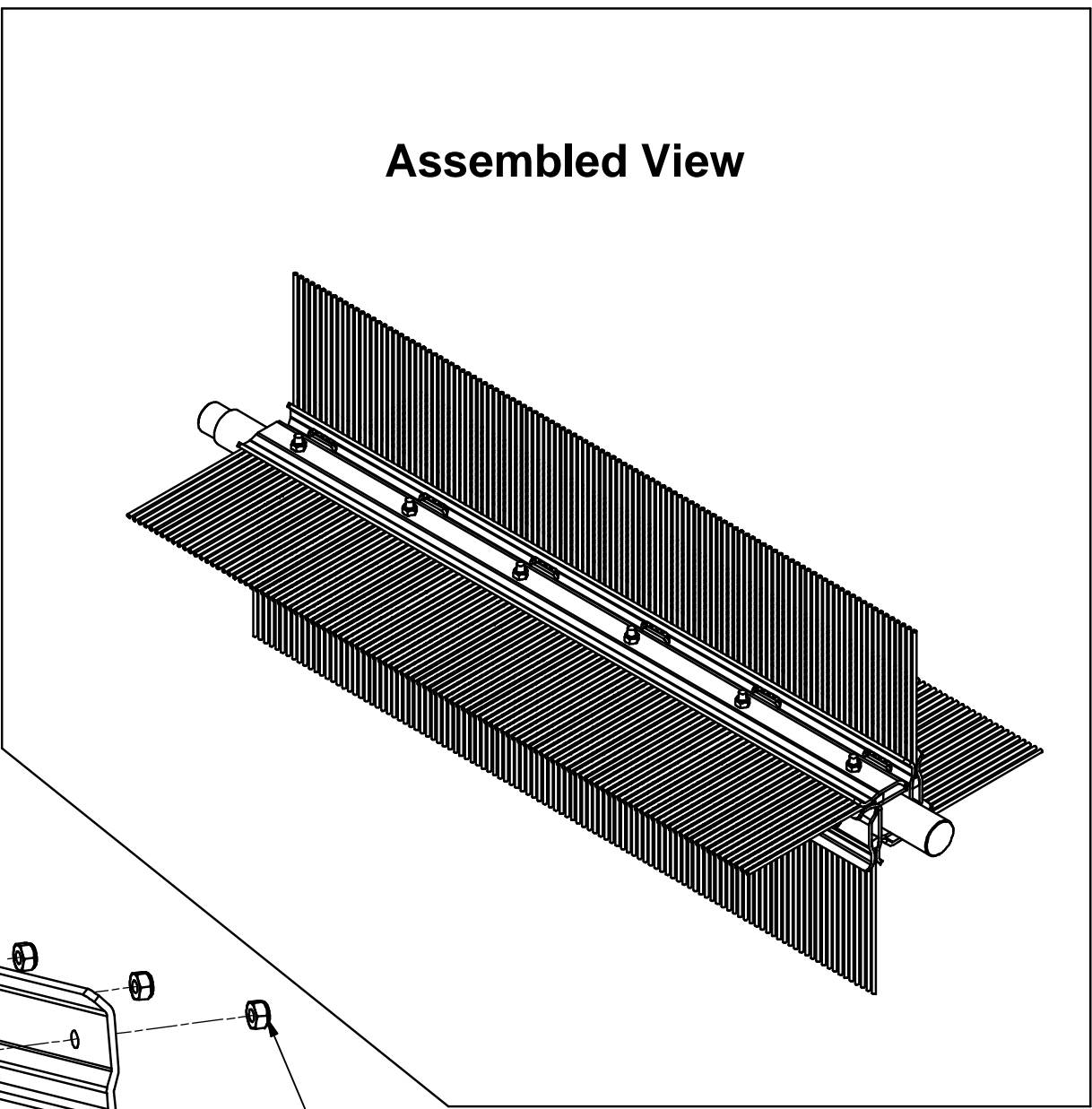
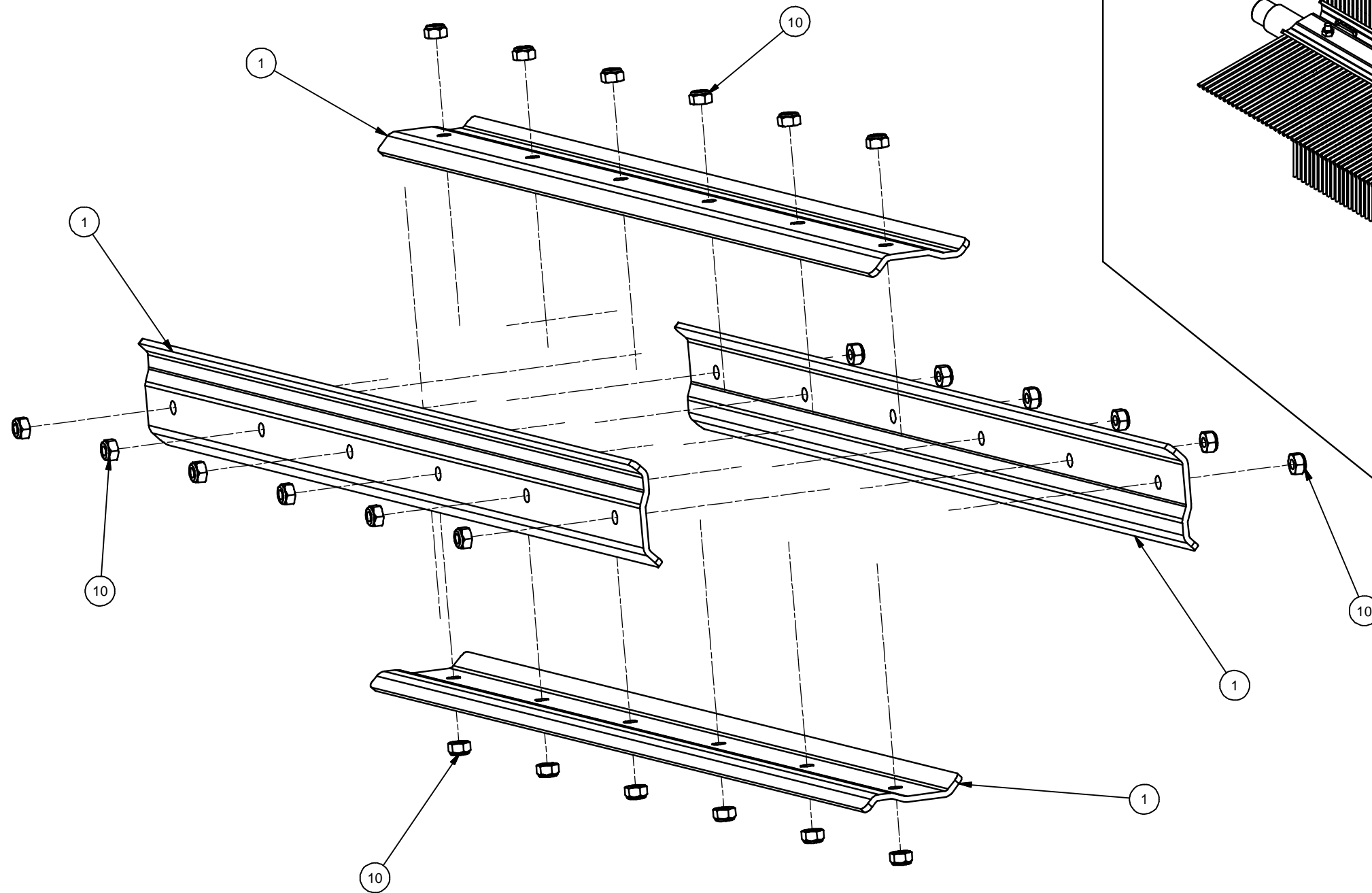


Parts List					
ITEM	QTY	PART NUMBER	DESCRIPTION	Thickness	MATERIAL
1	4	TOCO_M700_P032	bush clamp outer	3.000 mm	Steel, Mild
10	24	DIN985 M6 ZP	Nyloc nut M6 ZP		Steel, Mild ZP

TOCO_M700_A58(Brush Clamp Kit - Mini)



Designed by Geoff	Date drawn 4/08/2009	General Tolerance X ± 1 Unless Otherwise X.X ± 0.4 stated: X° ± 1° X.XX ± 0.03	All dimensions in mm A3	Customer - Project Tow n Collect Mini										
This document & designs shown are the property of Metalform (Dvke) Limited. It may not be copied in any form unless written permission is given by the Metalform(Dvke) Ltd				Description Brush Clamp Kit - Mini										
Metalform (DVKE) Ltd Easton Street, PO BOX 122 Dannevirke Phone 06 374 7043 Fax 06 374 9316				Part No TOCO_M700_A58										
<table border="1"> <thead> <tr> <th>REV</th> <th>DESCRIPTION</th> <th>ECR</th> <th>DATE</th> <th>AUTHOR</th> </tr> </thead> <tbody> <tr> <td>A</td> <td></td> <td></td> <td>4/08/2009</td> <td>Geoff</td> </tr> </tbody> </table>				REV	DESCRIPTION	ECR	DATE	AUTHOR	A			4/08/2009	Geoff	Rev A
REV	DESCRIPTION	ECR	DATE	AUTHOR										
A			4/08/2009	Geoff										
				Sheet 1 / 1										