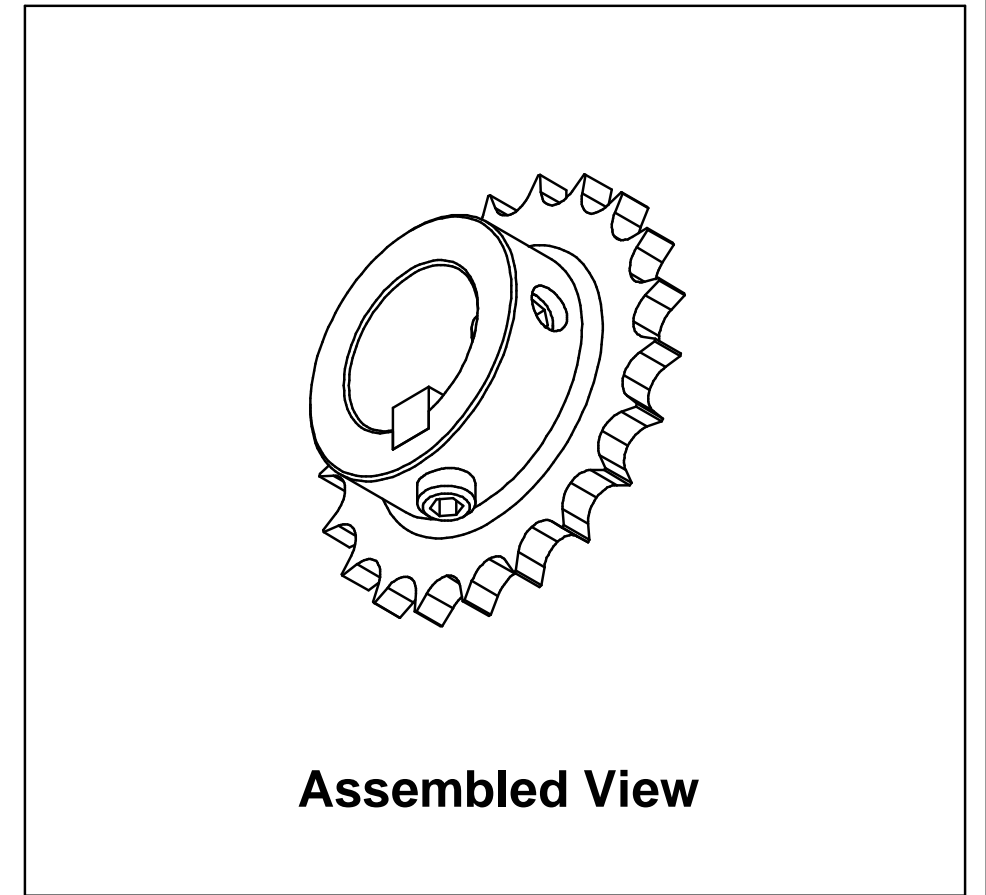
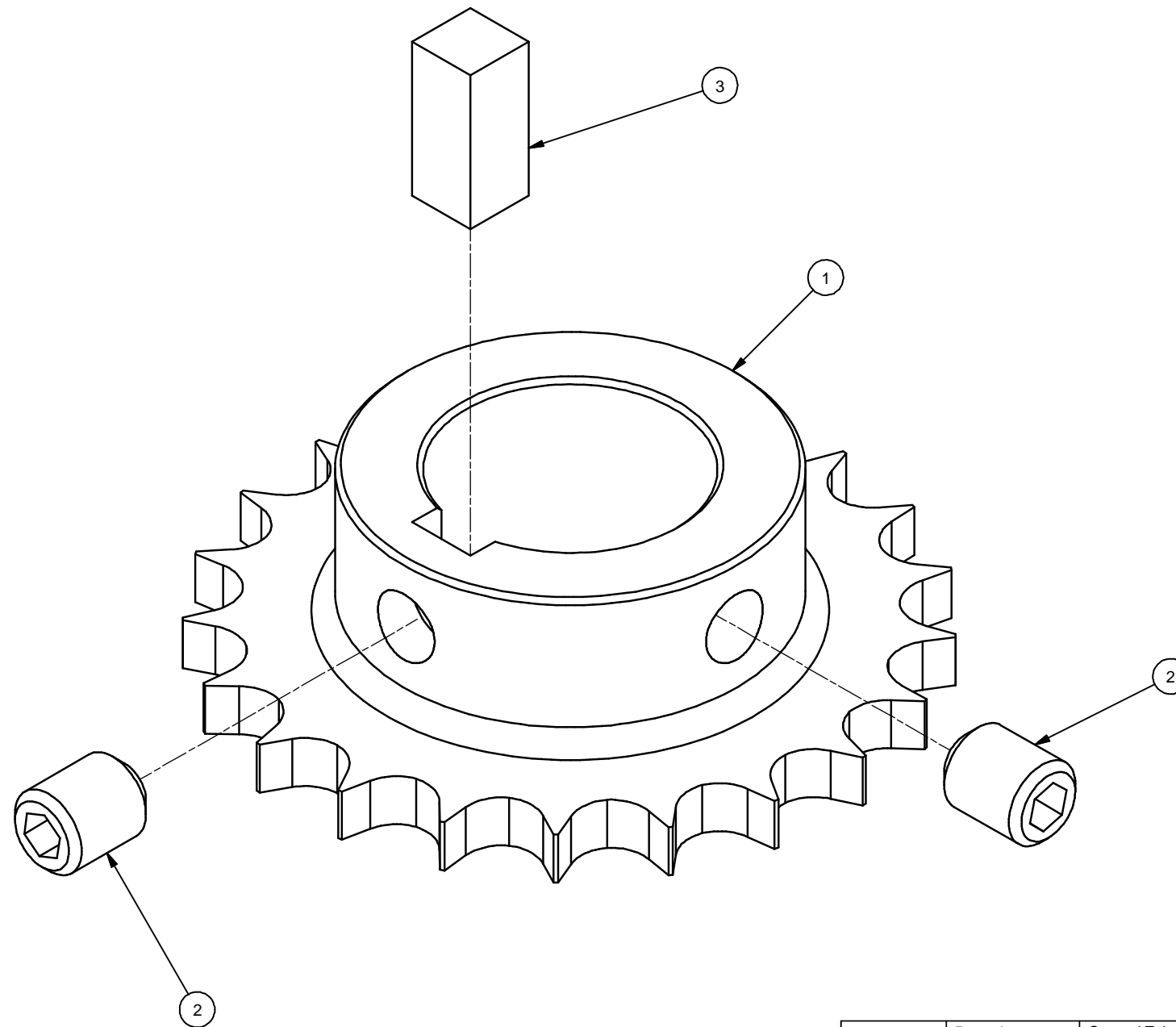


Parts List			
ITE	QTY	PART NUMBER	DESCRIPTION
1	1	BSS 3-21-1- 25mm	Sprocket 21T 3/8P BS simplex
2	2	ISO4029-M8x10	M8 x 10 Socket Grub Screw Black
3	1	TOCO_M700_P132	Key 7x7x16

TOCO_M700_A59 (Sprocket - Brush Shaft)



Assembled View

Mass:0.186 kg

Qty 1

Designed by Geoff	Date drawn 29/07/2009	General Tolerance X ± 1 Unless Otherwise X.X ± 0.4 stated: X° ± 1° X.XX ± 0.03	All dimensions in mm A3	Customer - Project Tow n Collect Mini										
This document & designs shown are the property of Metalform (Dvke) Limited. It may not be copied in any form unless written permission is given by the Metalform(Dvke) Ltd				Description Sprocket - Brush Shaft										
Metalform (DVKE) Ltd Easton Street, PO BOX 122 Dannevirke Phone 06 374 7043 Fax 06 374 9316				Part No TOCO_M700_A59										
<table border="1"> <thead> <tr> <th>REV</th> <th>DESCRIPTION</th> <th>ECR</th> <th>DATE</th> <th>AUTHOR</th> </tr> </thead> <tbody> <tr> <td>A</td> <td></td> <td></td> <td>29/07/2009</td> <td>Geoff</td> </tr> </tbody> </table>				REV	DESCRIPTION	ECR	DATE	AUTHOR	A			29/07/2009	Geoff	Rev A
REV	DESCRIPTION	ECR	DATE	AUTHOR										
A			29/07/2009	Geoff										
				Sheet 1 / 1										