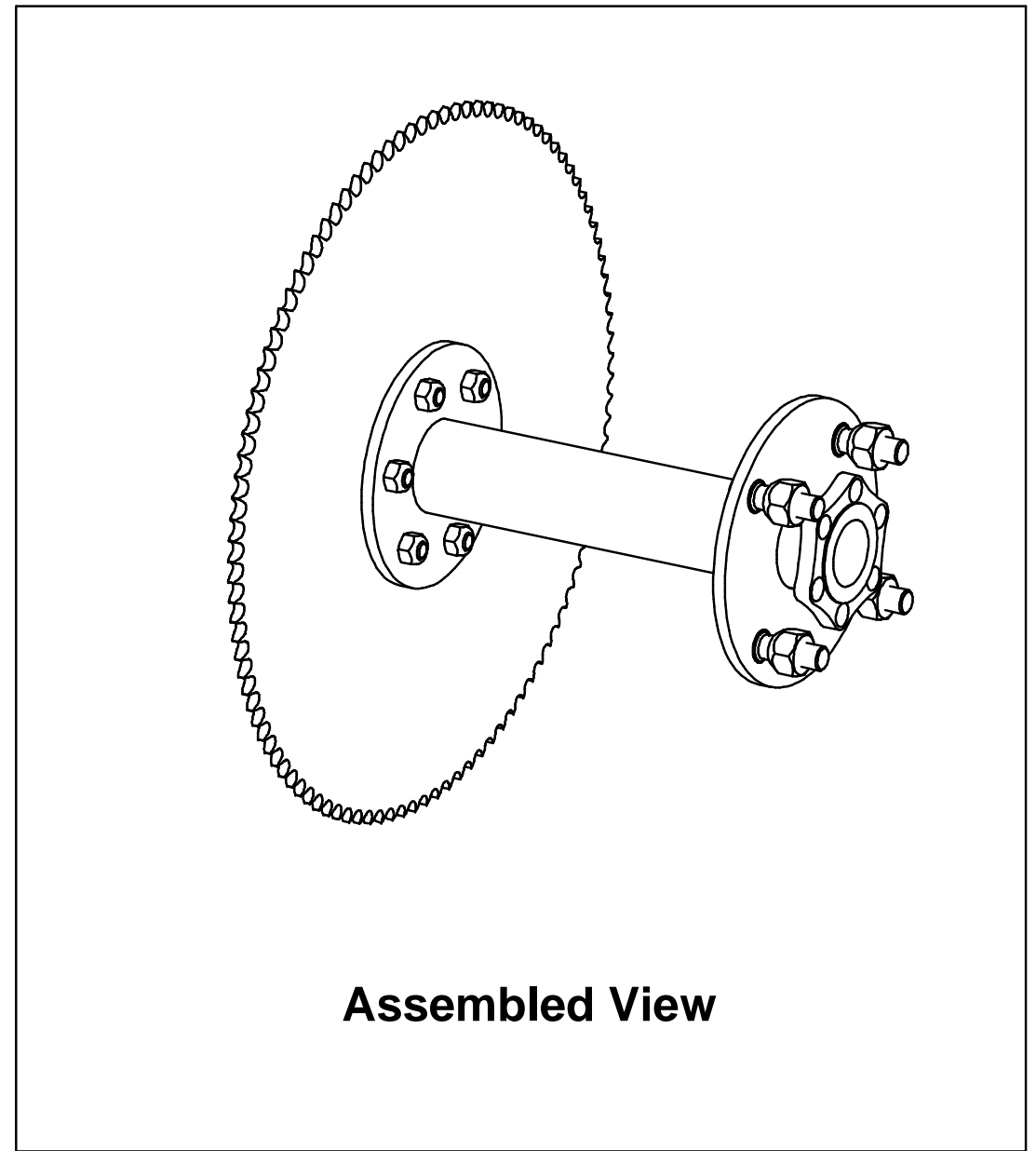
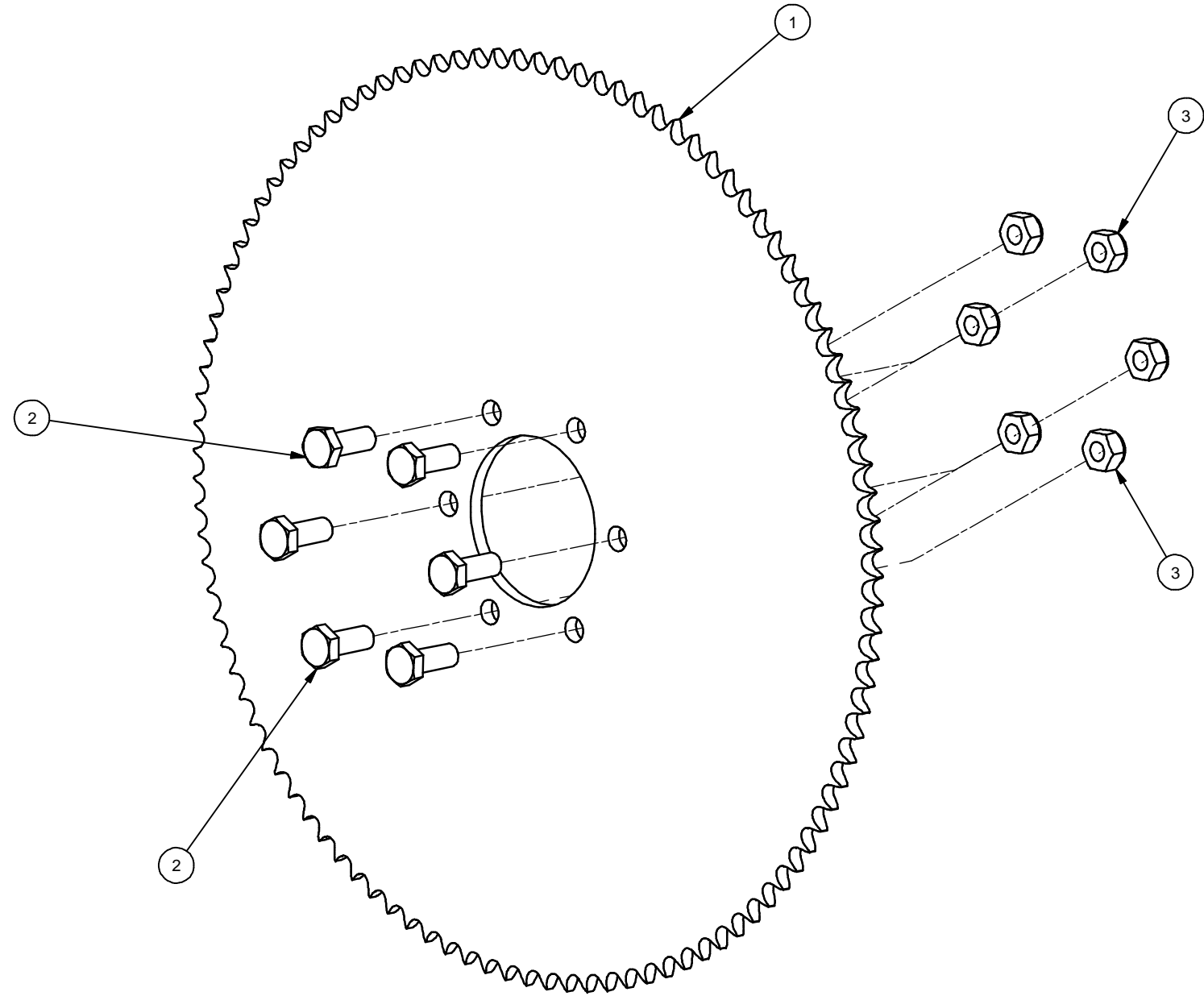


Parts List					
ITEM	QTY	PART NUMBER	DESCRIPTION	Thickness	MATERIAL
1	1	06B Sprocket 3-8 105T	06B Sprocket 3-8 105T	5.000 mm	Steel, Mild
2	6	ISO 4017 - M8 x 20 ZC	M8 x 20 Hex Set Screw ZC 8.8		Steel, High Tensile Grade 8.8 ZC
3	6	DIN985 - M8 ZC	M8 Nyloc nut ZC		Steel, High Tensile Grade 8.8 ZC

## TOCO\_M700\_A66(Sprocket - Drive Wheel)



**Assembled View**

Designed by Geoff	Date drawn 7/08/2009	General Tolerance X ± 1 Unless Otherwise X.X ± 0.4 stated: X° ± 1° X.XX ± 0.03	All dimensions in mm A3	Customer - Project Tow n Collect Mini
This document & designs shown are the property of Metalform (Dvke) Limited. It may not be copied in any form unless written permission is given by the Metalform(Dvke) Ltd		<b>Metalform (DVKE) Ltd</b>	Description Sprocket - Drive Wheel	
Easton Street, PO BOX 122 Dannevirke Phone 06 374 7043 Fax 06 374 9316			Part No TOCO_M700_A66	Rev A
				Sheet 1 / 1

REV	DESCRIPTION	ECR	DATE	AUTHOR
A			7/08/2009	Geoff