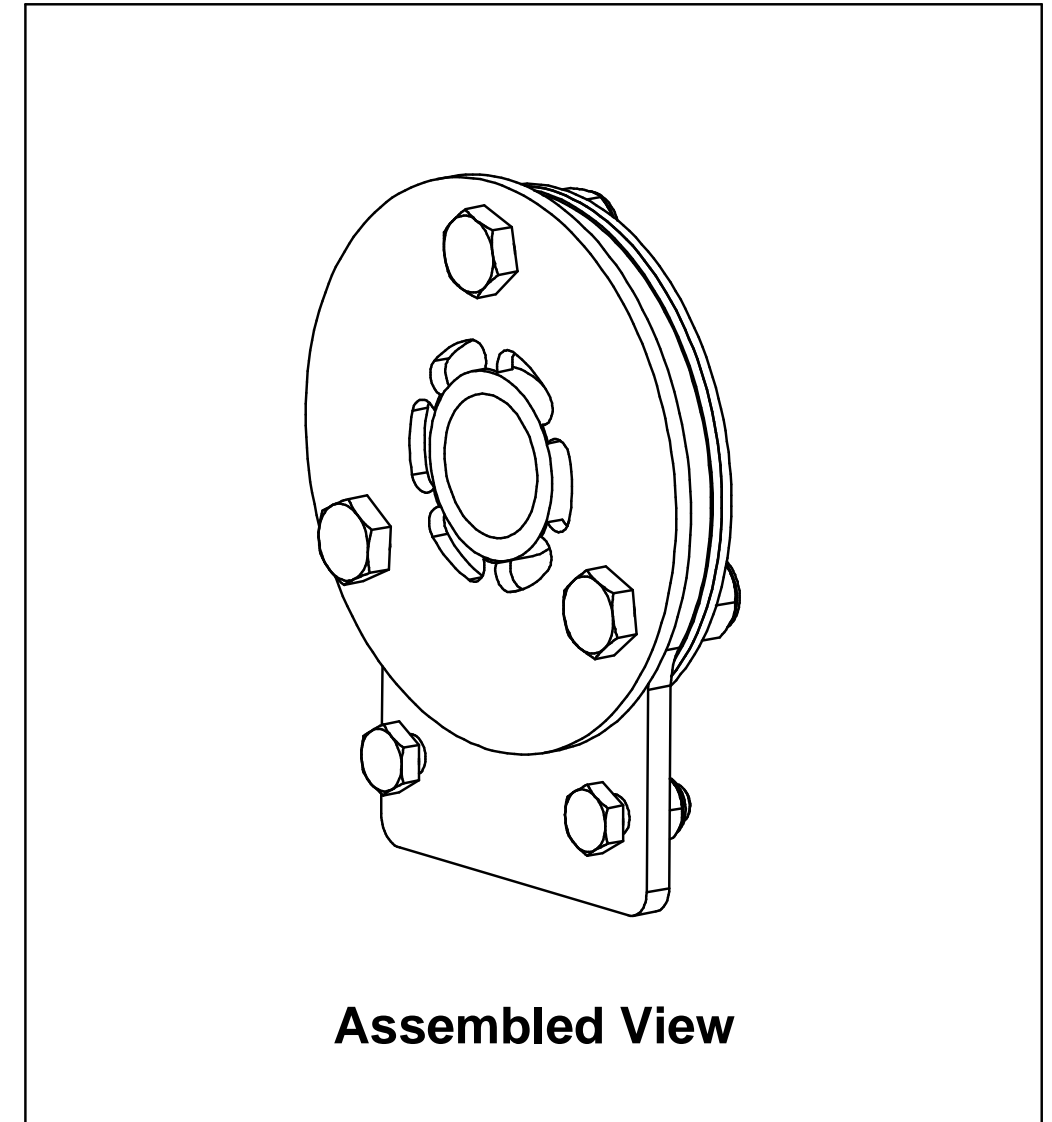
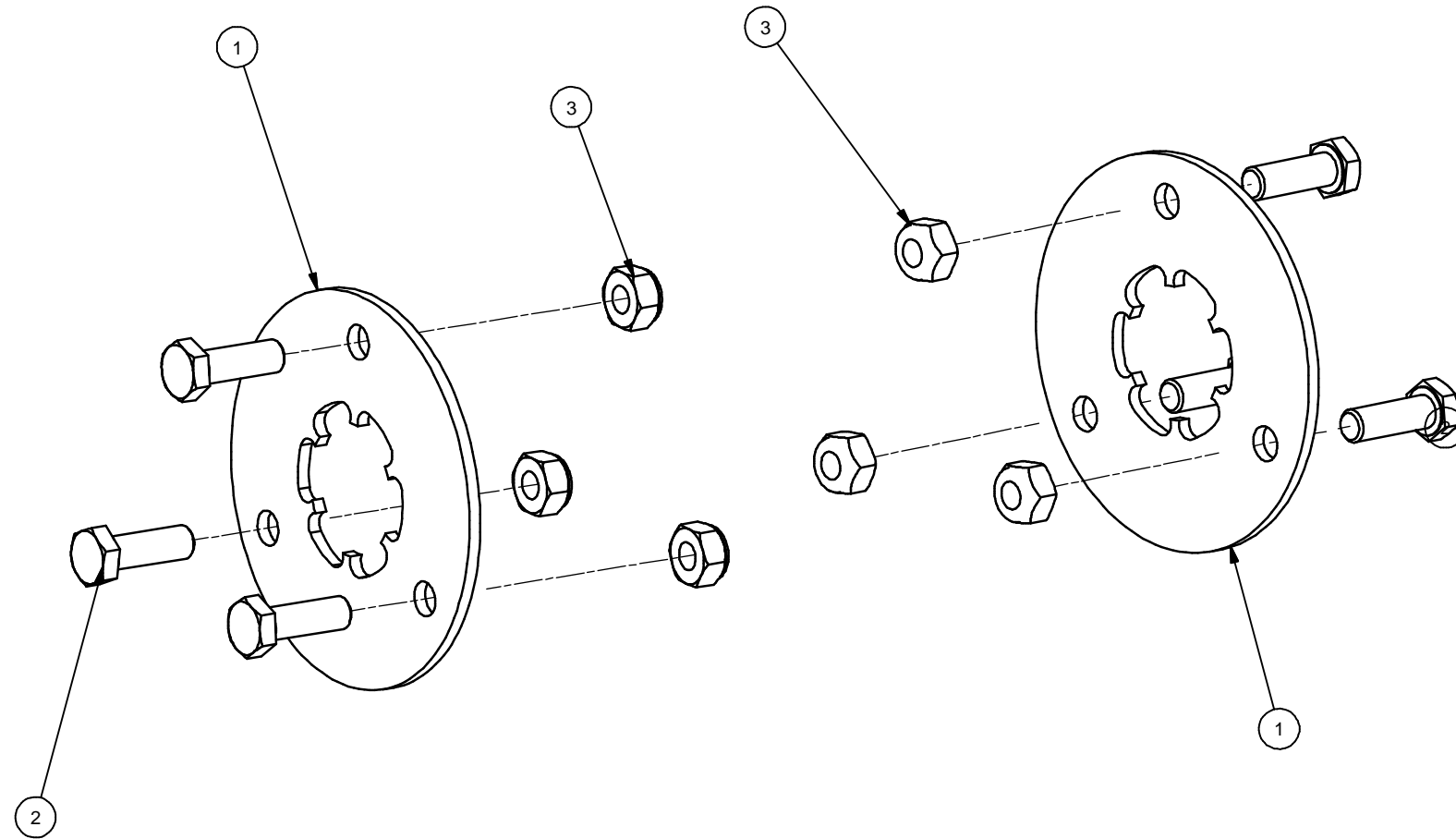


Parts List					
ITEM	QTY	PART NUMBER	DESCRIPTION	Thickness	MATERIAL
1	2	TOCO_T01_053	bearing spacer/cutter	4.000 mm	Steel, Mild
2	6	ISO 4017 - M10 x 30 ZC	M10 x 30 Hex Set Screw ZC 8.8		Steel, High Tensile Grade 8.8 ZC
3	6	DIN985 - M10 ZC	M10 Nyloc nut ZC		Steel, High Tensile Grade 8.8 ZC

## TOCO\_M700\_A67 (Grass Cutter Kit)



**Assembled View**

Designed by Geoff	Date drawn 7/08/2009	General Tolerance X ± 1 Unless Otherwise X.X ± 0.4 stated: X° ± 1° X.XX ± 0.03	All dimensions in mm A3	Customer - Project Tow n Collect Mini
This document & designs shown are the property of Metalform (Dvke) Limited. It may not be copied in any form unless written permission is given by the Metalform(Dvke) Ltd				Description Grass Cutter Kit
<b>Metalform (DVKE) Ltd</b> Easton Street, PO BOX 122 Dannevirke Phone 06 374 7043 Fax 06 374 9316				Part No TOCO_M700_A67
A		7/08/2009	Geoff	Rev A
REV	DESCRIPTION	ECR	DATE	AUTHOR
				Sheet 1 / 1